



Modern Window & Doors, Inc. • 2200 Spring St. • Hot Springs, AR 71901
Phone: 501-321-1019 — Toll Free: 1-800-835-8998 — Fax: 501-321-4351
www.modernwindow.com

Installation Instructions For 9200H Hurricane & 9200 Standard Windows

**9200H Picture Window
50" W max. x 84" H max.**

**9200/9200H Picture Window
50" W max. x 84" H max.
With Nail Fin**

**9200/9200H Picture Window
50" W max. x 84" H max.
With Flush Flange**

**9200/9200H Picture Window
50" W max. x 84" H max.
With Hurricane Straps**

**9200/9200H Picture Window
50" W max. x 84" H max.**

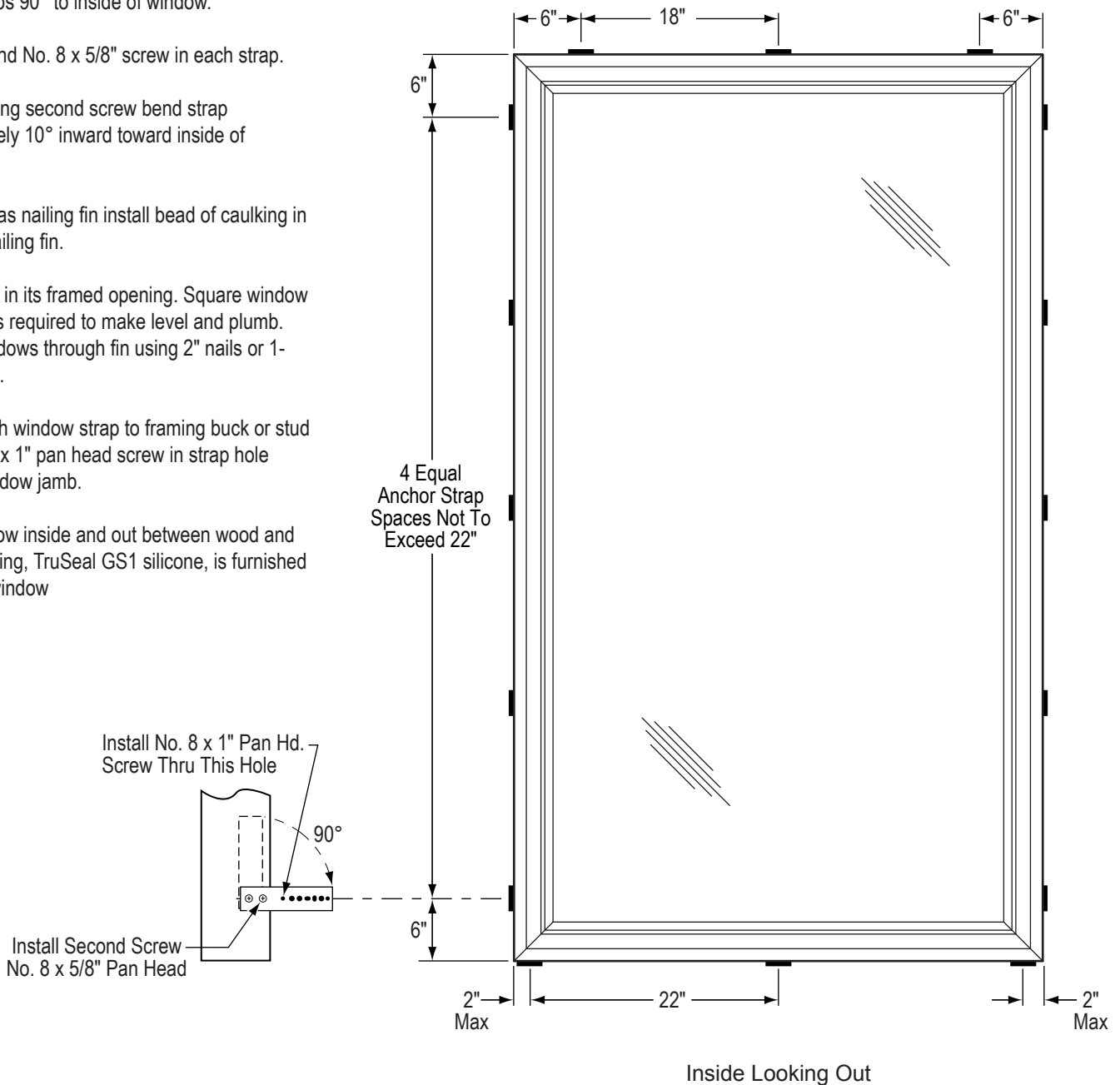
**Installation documents contained herein
are provided for reference use only.
Current and complete installation instructions
are included with each product.**

Installation Instructions

9200H Picture Window (50" Wide Max X 84" High Max)

NOTES:

1. All steel attachment straps are pre-installed.
Spacing of these straps must not exceed 24".
2. Rotate straps 90° to inside of window.
3. Install second No. 8 x 5/8" screw in each strap.
4. After installing second screw bend strap approximately 10° inward toward inside of window.
5. If window has nailing fin install bead of caulking in center of nailing fin.
6. Set window in its framed opening. Square window and shim as required to make level and plumb. Secure windows through fin using 2" nails or 1-1/2" screws.
7. Secure each window strap to framing buck or stud using no. 8 x 1" pan head screw in strap hole nearest window jamb.
8. Caulk window inside and out between wood and vinyl. Caulking, TruSeal GS1 silicone, is furnished with each window

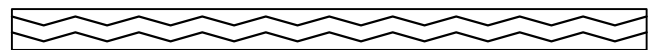
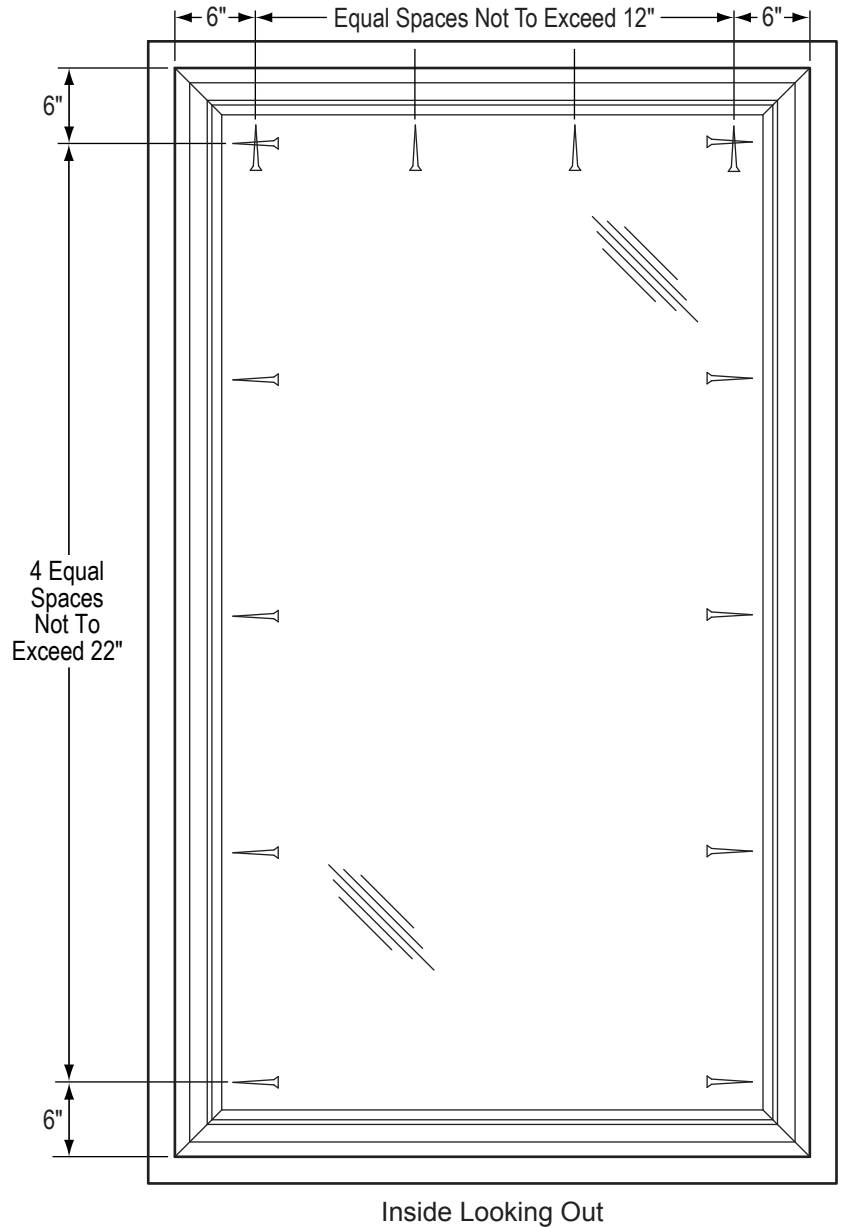


Installation Instructions

9200/9200H Picture Window (50" Wide Max X 84" High Max) With Nail Fin

NOTES:

1. Apply two 1/4" beads of silicone caulk to sill of rough opening. Apply a 1/4" bead of caulk in center of fin. Set window in its framed opening. Square window and shim as required to make level and plumb. Secure window through fin using 2" nails or 1-1/2" screws.
2. Install the furnished no. 8 x 1-1/2" pan head stainless steel screws in pre-punched holes in jambs and head.
3. All screws will be countersunk through first layer of vinyl.
4. Use supplied plug covers to fill holes, secured with a small amount of caulking. Remove excess caulk.
5. After installation apply bead of silicone caulk between window and stud opening on exterior and interior of window.



Caulk Beads On
 Rough Opening Sill
 See Note 1

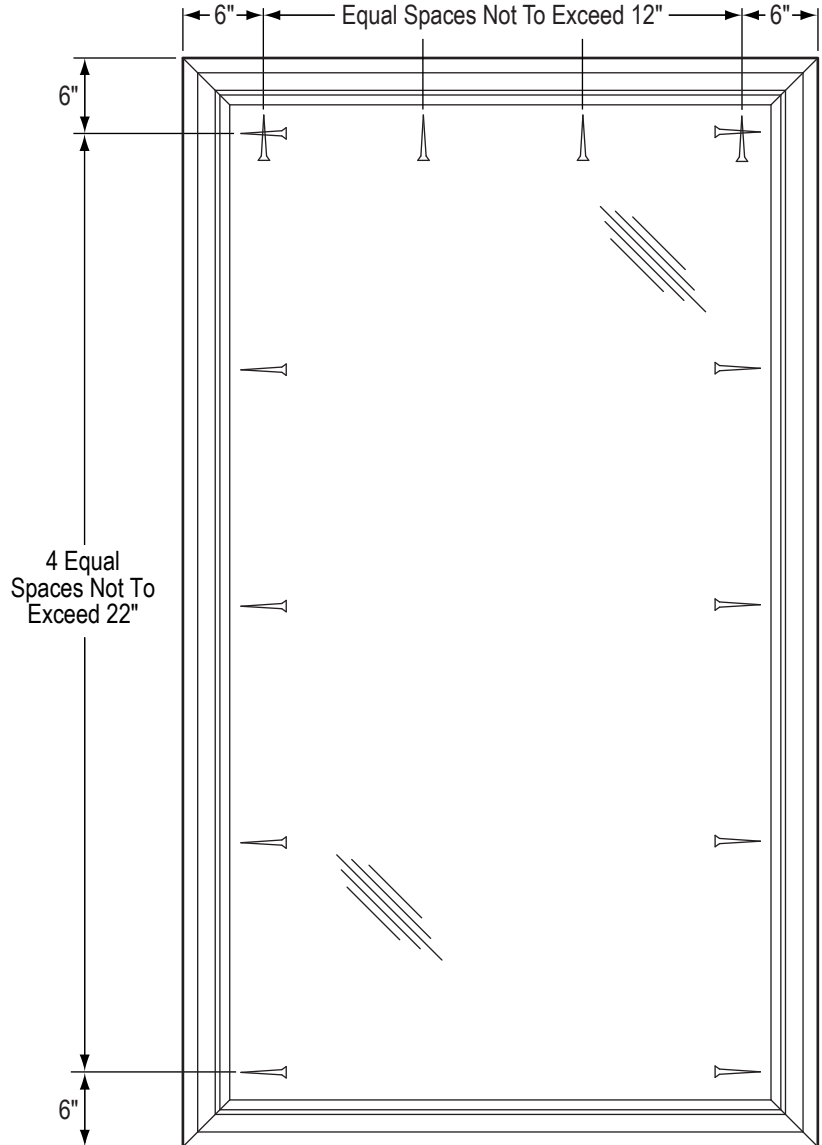
Installation Instructions

9200/9200H Picture Window (50" Wide Max X 84" High Max)

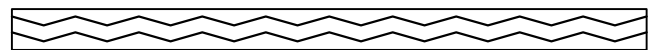
Flush Flange

NOTES:

1. Apply two 1/4" beads of silicone caulk to sill of rough opening. Set window in its framed opening. Square window and shim as required to make level and plumb.
2. Install the furnished no. 8 x 1-1/2" pan head stainless steel screws in pre-punched holes in jambs and head.
3. All screws will be countersunk through first layer of vinyl.
4. Use supplied plug covers to fill holes, secured with a small amount of caulking. Remove excess caulk.
5. After installation apply bead of silicone caulk between window and stud opening on exterior and interior of window.



Inside Looking Out



Caulk Beads On
 Rough Opening Sill
 See Note 1

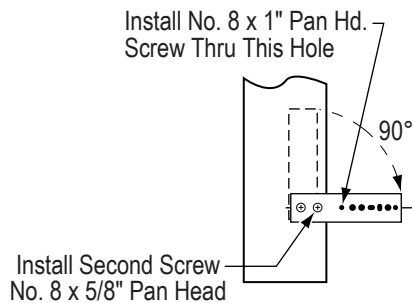
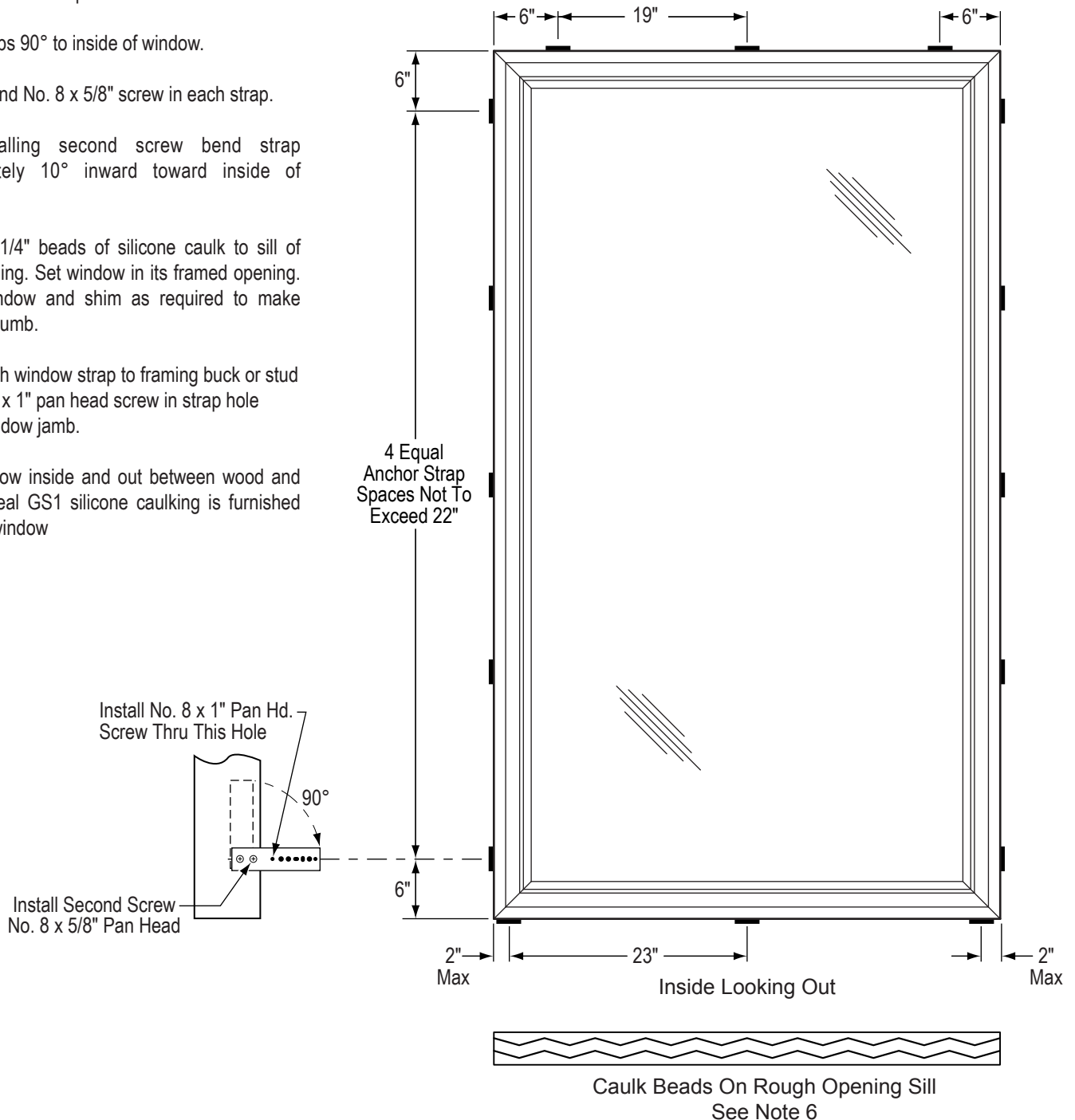
Installation Instructions

9200/9200H Picture Window (50" Wide Max X 84" High Max)

Hurricane Straps

NOTES:

1. All steel attachment straps are pre-installed. Spacing of these straps must not exceed 24".
2. Rotate straps 90° to inside of window.
3. Install second No. 8 x 5/8" screw in each strap.
4. After installing second screw bend strap approximately 10° inward toward inside of window.
5. Apply two 1/4" beads of silicone caulk to sill of rough opening. Set window in its framed opening. Square window and shim as required to make level and plumb.
6. Secure each window strap to framing buck or stud using no. 8 x 1" pan head screw in strap hole nearest window jamb.
7. Caulk window inside and out between wood and vinyl. TruSeal GS1 silicone caulking is furnished with each window

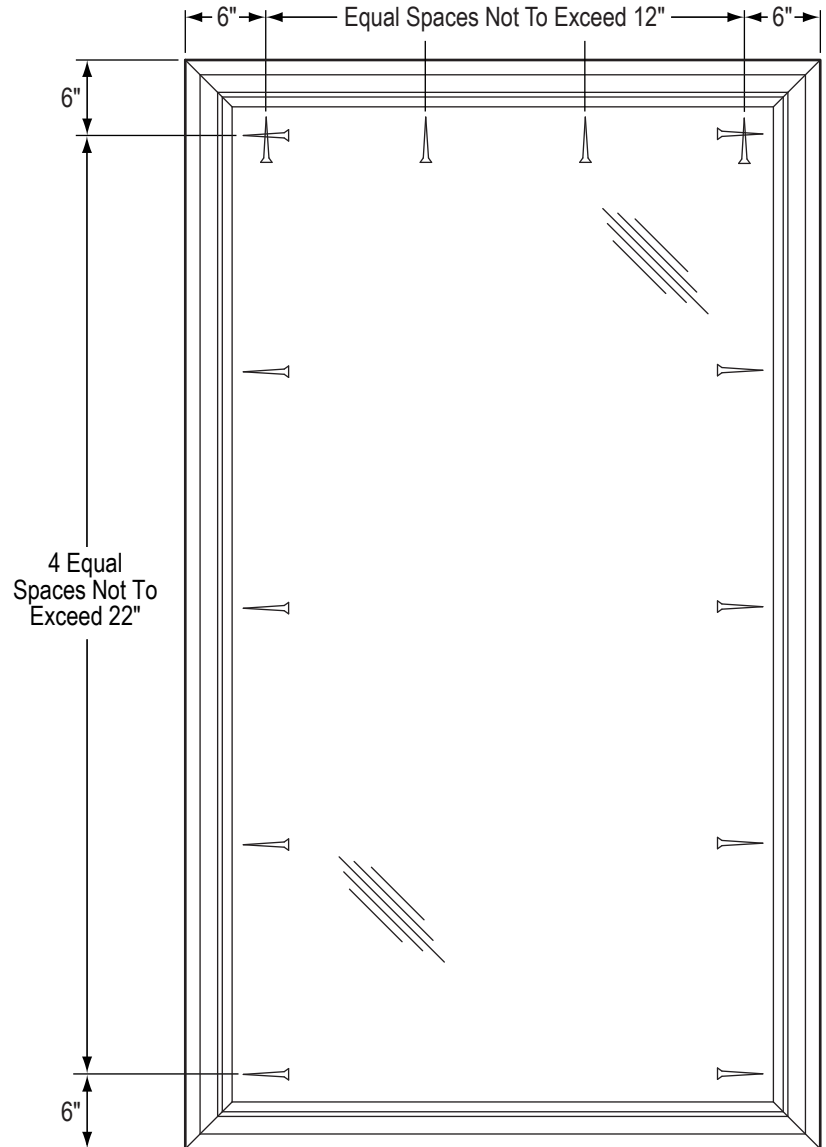


Installation Instructions

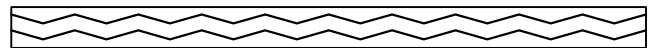
9200/9200H Picture Window (50" Wide Max X 84" High Max)

NOTES:

1. Apply two 1/4" beads of silicone caulk to sill of rough opening. Set window in its framed opening. Square window and shim as required to make level and plumb.
2. Install the furnished no. 8 x 1-1/2" pan head stainless steel screws in pre-punched holes in jambs and head.
3. All screws will be countersunk through first layer of vinyl.
4. Use supplied plug covers to fill holes, secured with a small amount of caulking. Remove excess caulk.
5. After installation apply bead of silicone caulk between window and stud opening on exterior and interior of window.



Inside Looking Out



Caulk Beads On
Rough Opening Sill
See Note 1